

NKX50-Z-XL

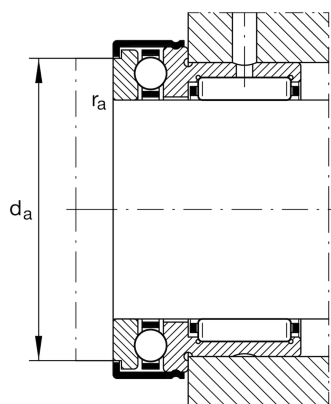
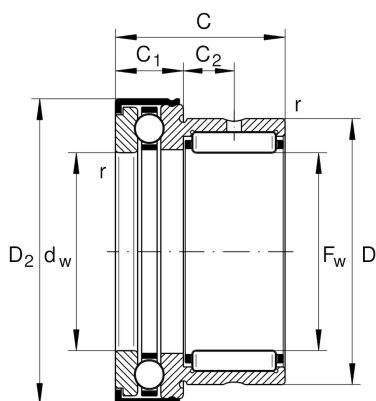
Needle roller/axial ball bearing

Schaeffler ID:
0507476300000

Needle roller/axial ball bearings NKX...-Z, axial component, single direction, to DIN 5429, with end cap, for grease lubrication

X-life

Technical information



Main Dimensions & Performance Data

F_w	50 mm	Bore diameter
D	62 mm	Outside diameter
C	35 mm	Height
C_r	43,000 N	Basic dynamic load rating, radial
C_{0r}	74,000 N	Basic static load rating, radial
C_a	29,000 N	Basic dynamic load rating, axial
C_{0a}	75,000 N	Basic static load rating, axial
C_{ur}	12,900 N	Fatigue load limit, radial
C_{ua}	3,750 N	Fatigue load limit, axial
n_G	3,300 1/min	Limiting speed
	288.35 g	Weight

Dimensions

$D_{1\max}$	71.5 mm	Maximum outside diameter flange
	IR45X50X25-XL	Suitable inner rings IR
$D_{2\max}$	71.5 mm	Maximum outside diameter flange
C_1	14 mm	Width of the axial bearing component
C_1	10 mm	Distance to lubrication hole
C_2	10 mm	Distance to lubrication hole
d_w	50 mm	Bore diameter of shaft washer
r_{\min}	0.6 mm	Minimum chamfer dimension

Mounting dimensions

d_a	65.5 mm	Mounting dimension shaft shoulder
$r_{a\max}$	0.6 mm	Maximum recess radius

Temperature range

T_{\min}	-30 °C	Operating temperature min.
T_{\max}	120 °C	Operating temperature max.